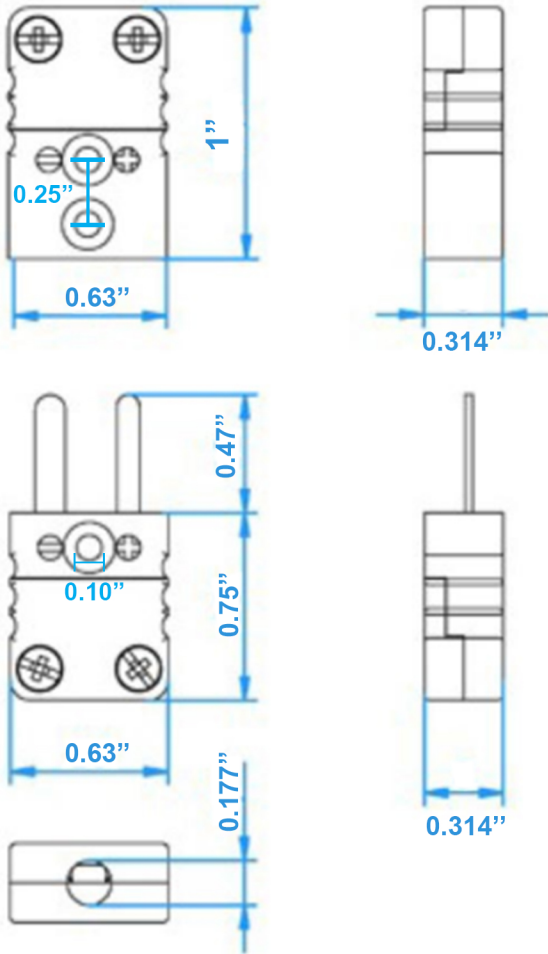


# Mini-Connector

## Specifications



### Part Numbers

- **MP-K** Male Type K Mini-Plug
- **MP-J** Male Type J Mini-Plug
- **MP-T** Male Type T Mini-Plug
- **MJ-K** Female Type K Mini-Plug
- **MJ-J** Female Type J Mini-Plug
- **MJ-T** Female Type T Mini-Plug

### Application

Connector for thermocouple and RTD circuits.  
Suited for small wires and mineral insulated cables.

### Construction

- Glass filled high quality thermoplastic body with original thermocouple material pins and springloaded inserts.
- Polarized pins ensure proper connection.
- Easy wire connection through sandwich construction.
- Molded barriers prevent short circuit.
- Rugged one body design.
- Stainless Steel screws with combination head (Slotted and Phillips)

### Wire size

- Accepts wires up to 0.023 inches.
- Maximum cable diameter 0.178 inches.

### Temperature rating

- 200°C Max.