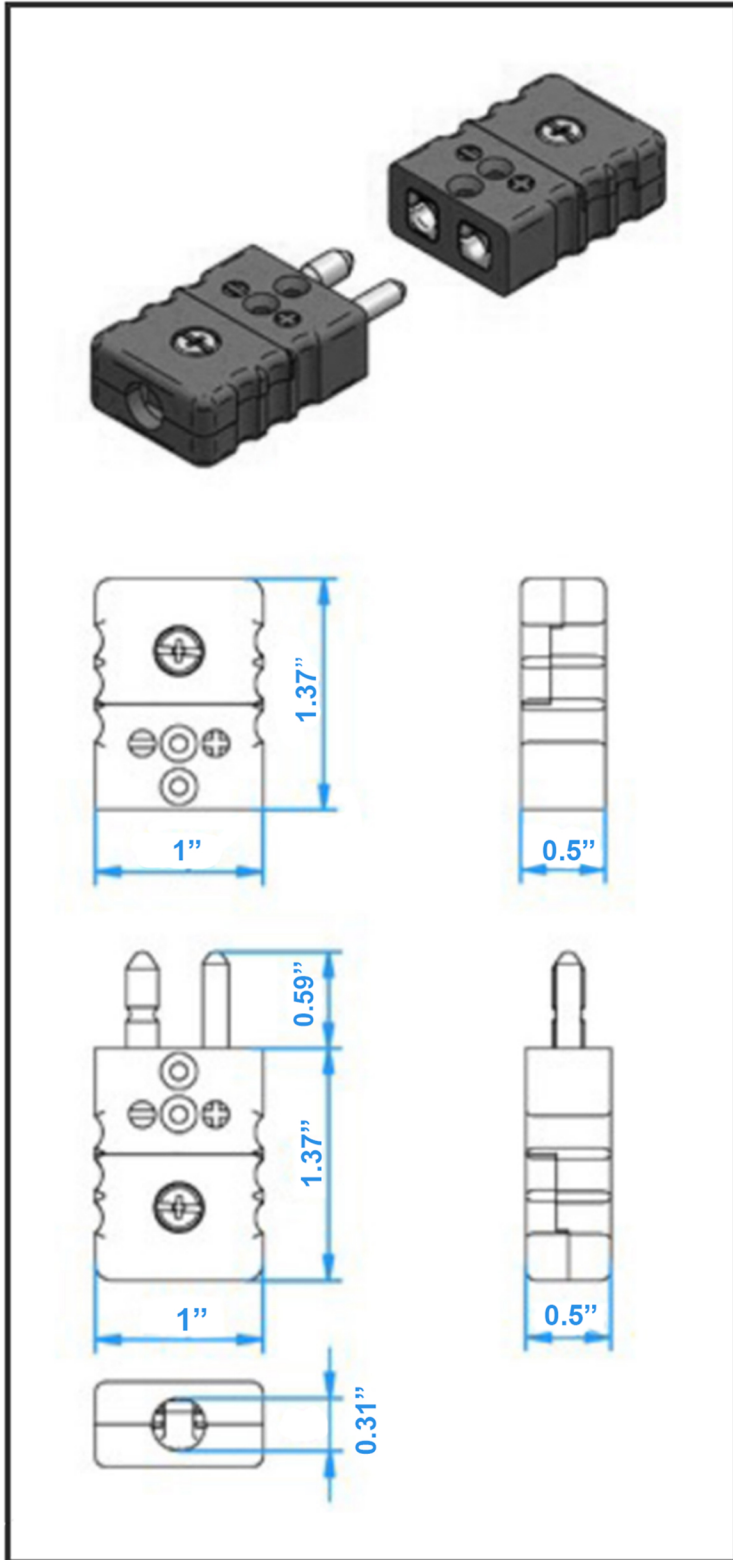


Standard Connector

Specifications



Part Numbers

- LP-K Male Type K Standard Plug
- LP-J Male Type J Standard Plug
- LP-T Male Type T Standard Plug
- LJ-K Female Type K Standard Plug
- LJ-J Female Type J Standard Plug
- LJ-T Female Type T Standard Plug

Application

Connector for thermocouple and RTD circuits. Solid pin design ensures good contact even in demanding applications. Hollow pin design offers a good quality product at competitive pricing for less frequently used connectors.

Construction

- Glass filled high quality thermoplastic body with original thermocouple material pins and springloaded inserts.
- Polarized pins.
- Central cover screw design for quick wiring.
- Molded barriers prevent short circuit.
- Captive cover screw for easy assembly.
- Easy wire connection through sandwich construction
- Stainless Steel screws with combination head (Slotted and Phillips)

Wire size

- Accepts wires up to 0.078 inches.
- Maximum cable diameter 0.314 inches

Temperature rating

- 200 °C Max.